

ESP pre-assembled junction boxes

Ex e preassembled GRP junction boxes for zone 1/21



Polyester distribution boxes have been of great advantage in many industrial plants. They offer safe protection even when they are exposed to extreme environmental conditions, aggressive chemical media or high mechanical stress.

The narrow sides within the enclosure hold threaded bushings for the fixing of terminal rails or mounting panels. The enclosure is mounted by means of insulated screws outside of the lid sealing gasket. The fundamental prerequisites of the „protection through enclosure“ protection class are fulfilled with the heating up calculation as per the accompanying sheet and a separate IP protection test. Main components as rail-mounted terminals provide secure wire connections, complemented by terminal markers for organization, cable glands for entry and strain relief and mounting panels for structured installation. Type labels and tag labels further contribute to easy identification and maintenance. We offer 10 different types of pre-assembled junction boxes which are managed on stock.

- Robust
- Functional
- Delivery from stock
- ATEX & IECEx certified

Explosion protection

Marking ATEX	Ex e: Ⓜ II 2G Ex eb IIC T6 Gb Ⓜ II 2D Ex tb IIIC T80 °C Db Ex i: Ⓜ II 2G Ex ia IIC T6 Gb Ⓜ II 2D Ex tb IIIC T80 °C Db
Certification	IBExU 12 ATEX 1099X
Marking IECEX	Ex e: Ex eb IIC T6 Gb Ex tb IIIC T80 °C Db Ex i: Ex ia IIC T6 Gb Ex tb IIIC T80 °C Db
Certification	IECEX IBE 12.0031X
Ambient temperature	-20 °C to +40 °C at T6

Technical data

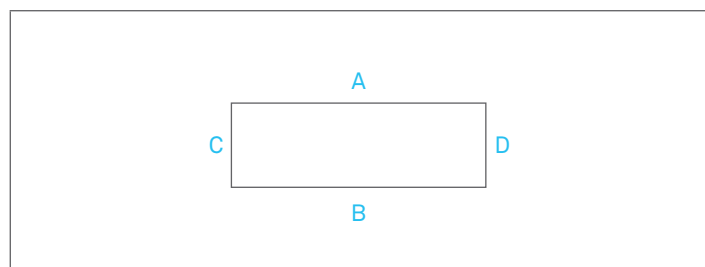
Protection class	IP 66
Material	glass-fibre reinforced polyester, EN 60079-0, halogen-free
Colour	RAL 9005, black
Electrical resistance	surface resistance < 10 ⁹ Ω

Ordering information

Dimensions [mm]	side A	side B	side C	side D	Terminals	Voltage [V]	Order no.
80 x 75 x 55	1 x M20 x 1.5	2 x M20 x 1.5	–	–	4x AKZ4 + 1 x PE	352	07-3T03-0805/F015
80 x 75 x 55	1 x M20 x 1.5	2 x M20 x 1.5	–	–	4x AKZ4BL + 1 x PE	60V (Ex i)	07-3T05-0805/F021
110 x 75 x 55	2 x M20 x 1.5	2 x M20 x 1.5 1 x M20*	–	–	10x AKZ4 + 2 x PE	352	07-3T03-1105/F012
110 x 75 x 55	1 x M20 x 1.5 1 x M25 x 1.5	2 x M20 x 1.5 1 x M20*	–	–	10 x AKZ4 + 2 x PE	352	07-3T03-1105/F013
122 x 120 x 90	2 X M20 x 1.5	2 x M20 x 1.5	1 x M20 x 1.5*	1 x M20 x 1.5*	10 x WDU4 + 2 x PE	690	07-3T03-1209/F028
160 x 160 x 90	2 X M25 x 1.5	2 x M25 x 1.5	1 x M20 x 1.5*	1 x M20 x 1.5*	12 x WDU4 + 4 x PE	690	07-3T03-1609/F038
220 x 160 x 90	4 x M16 x 1.5 4 x M20 x 1.5*	4 x M16 x 1.5 4 x M20 x 1.5 1 x M25 x 1.5*	–	–	25 x WDU4 + 6 x PE	690	07-3T03-2209/F018
260 x 120 x 90	3 x M25 x 1.5 3 x M20 x 1.5	2 x M32 x 1,5 3 x M25 x 1.5 1 x M20 x 1,5	–	–	14 x WDU6 + 4 x PE, 4 x WDU2,5 + 2 x PE	550	07-3T03-2609/F028
122 x 120 x 90	–	2 x M20 x 1.5	1 x M20 x 1.5	1 x M20 x 1.5	8 x WDU4 + 2 x PE	690	07-3T03-1209/F029
122 x 120 x 90	–	2 x M20 x 1.5	1 x M20 x 1.5*	1 x M20 x 1.5*	8 x WDU4 + 2 x PE	690	07-3T03-1209/F030
122 x 120 x 90	–	2 x M25 x 1.5	1 x M25 x 1.5	1 x M25 x 1.5	6 x WDU6 + 2 x PE	550	07-3T03-1209/F031
122 x 120 x 90	–	2 x M25 x 1.5	1 x M25 x 1.5*	1 x M25 x 1.5*	6 x WDU6 + 2 x PE	550	07-3T03-1209/F038

* Stopping plug

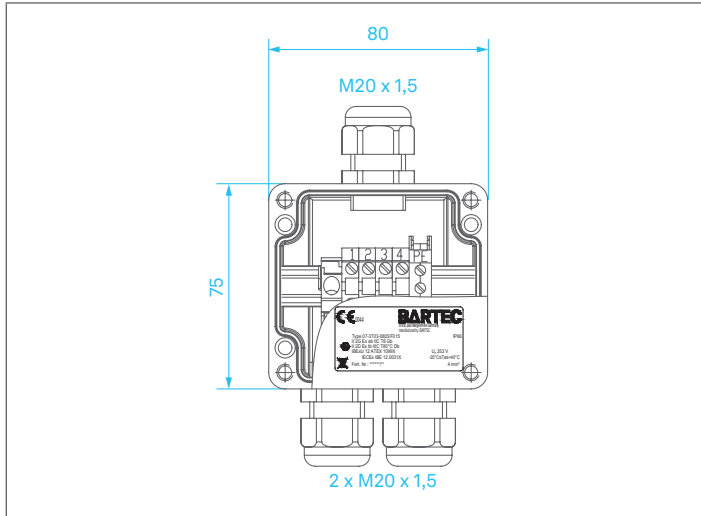
Orientation



07-3T03-0805/F015

Dimensions 80 x 75 x 55 mm

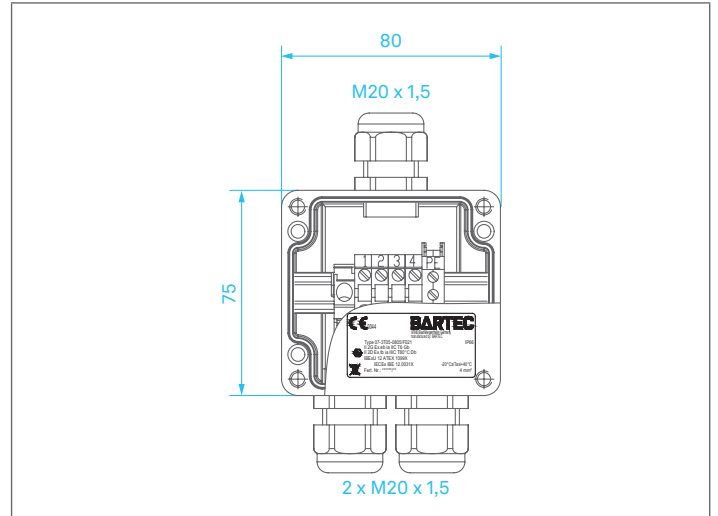
Terminals: 4x AKZ4 + 1 x PE



07-3T05-0805/F021

Dimensions 80 x 75 x 55 mm

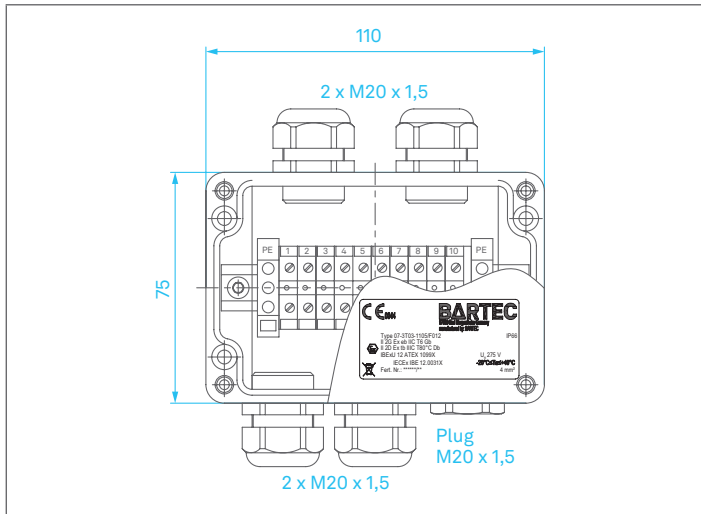
Terminals: 4x AKZ4BL + 1 x PE



07-3T03-1105/F012

Dimensions 110 x 75 x 55 mm

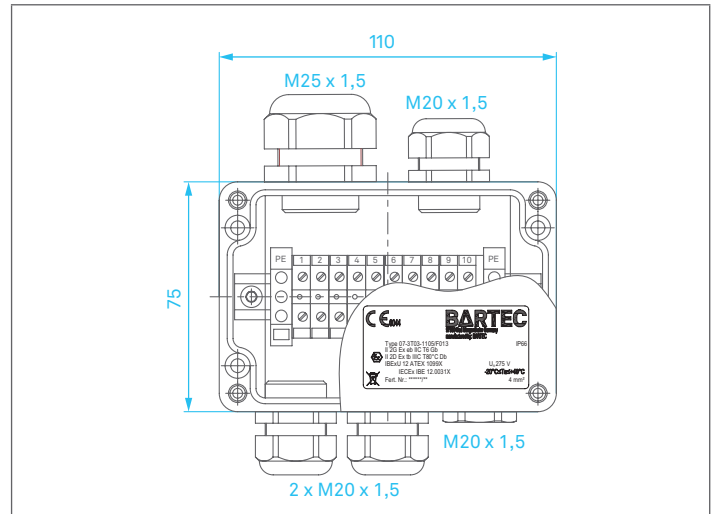
Terminals: 10x AKZ4 + 2x PE



07-3T03-1105/F013

Dimensions 110 x 75 x 55 mm

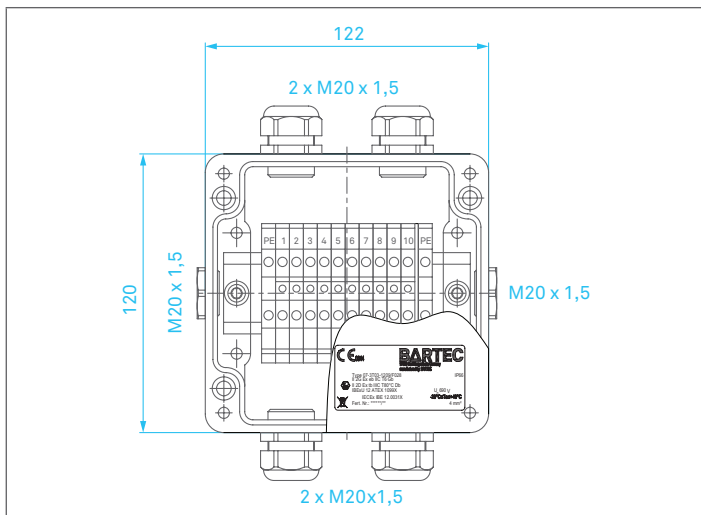
Terminals: 10x AKZ4 + 2x PE



07-3T03-1209/F028

Dimensions 112 x 120 x 90 mm

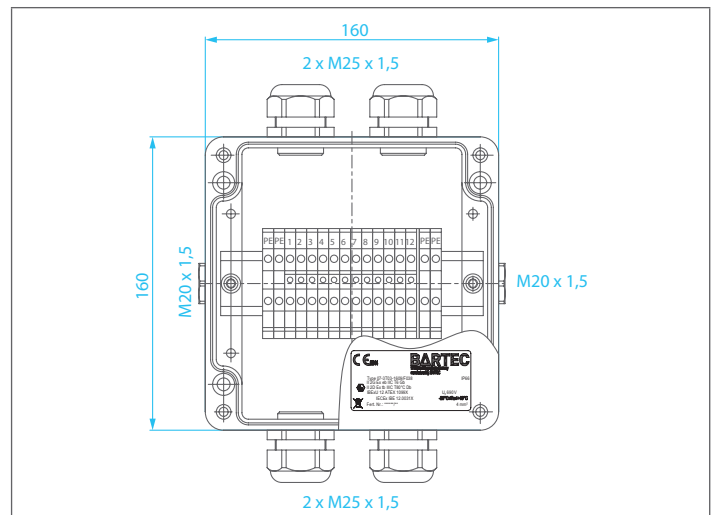
Terminals: 10x WDU4 + 2x PE



07-3T03-1609/F038

Dimensions 160 x 160 x 90 mm

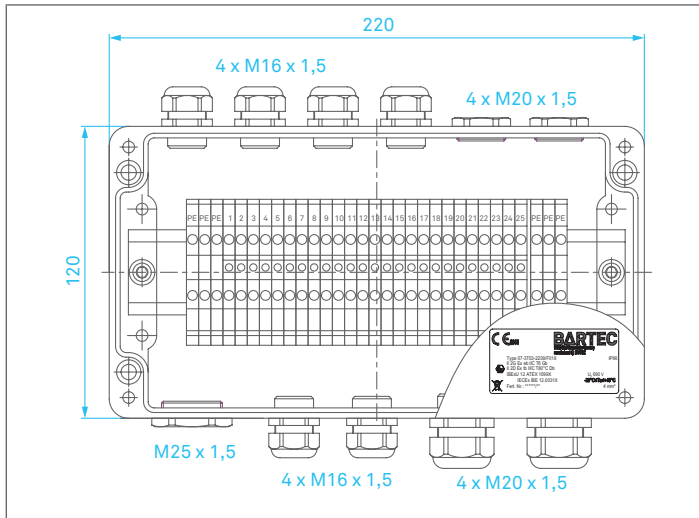
Terminals: 12x WDU4 + 4x PE



07-3T03-2209/F018

Dimensions 220 x 120 x 90 mm

Terminals: 25x WDU4 + 6x PE



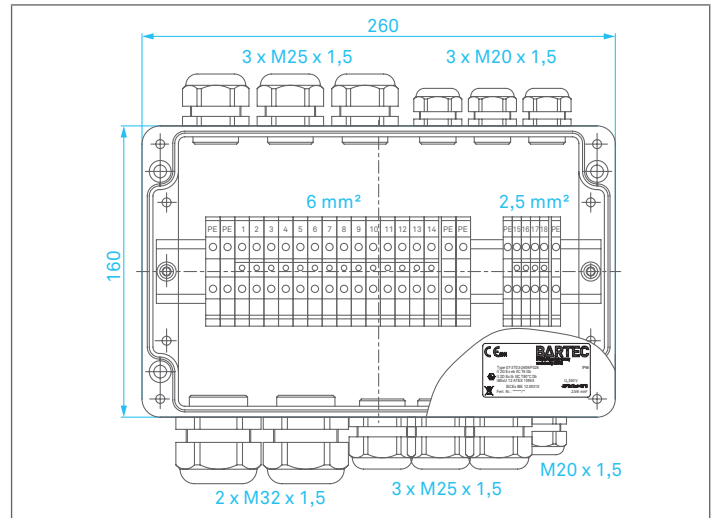
07-3T03-2609/F028

Dimensions

260 x 160 x 90 mm

Terminals:

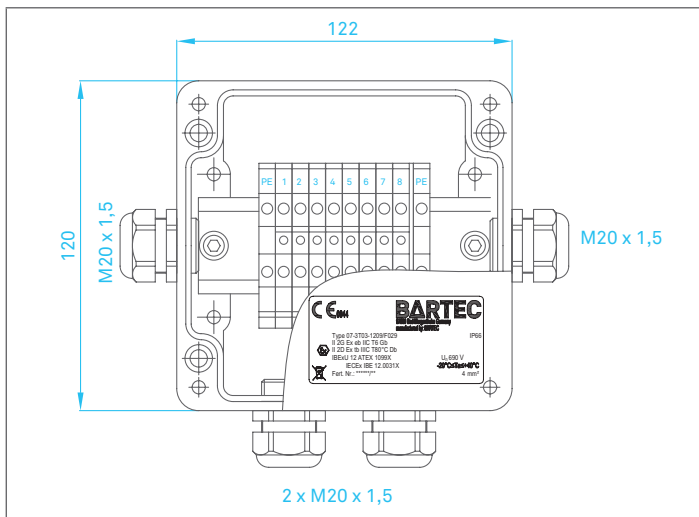
14x WDU6 + 4x PE, 4x WDU2,5 + 2x PE



07-3T03-1209/F029

Dimensions 122 x 120 x 90 mm

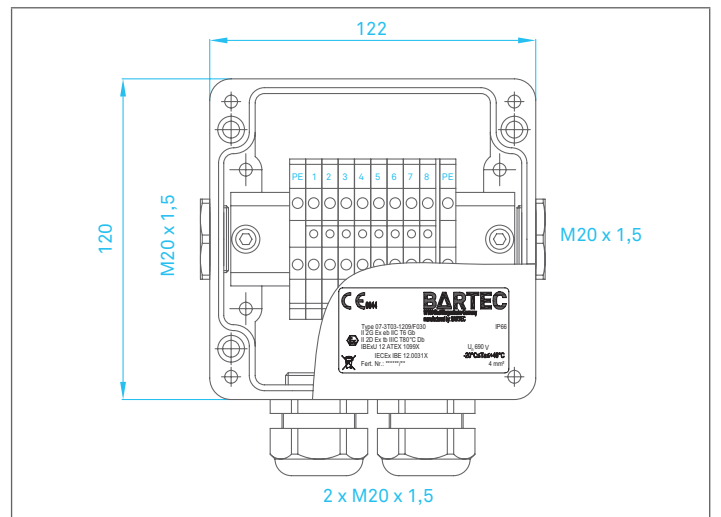
Terminals: 8x WDU4 + 2x PE



07-3T03-1209/F030

Dimensions 122 x 120 x 90 mm

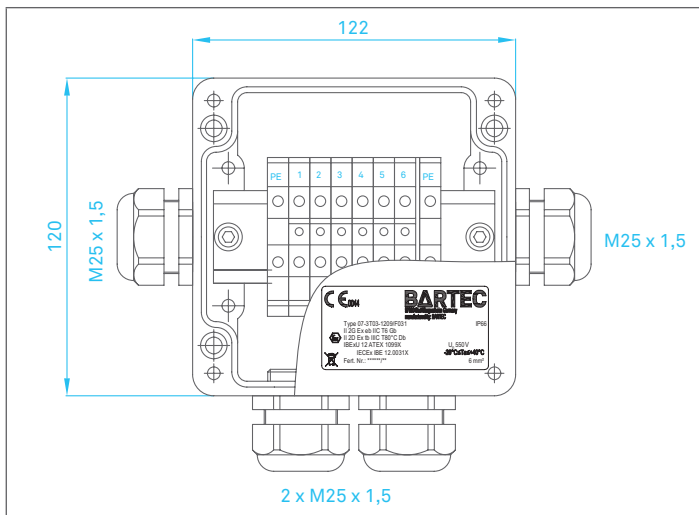
Terminals: 8x WDU4 + 2x PE



07-3T03-1209/F031

Dimensions 122 x 120 x 90 mm

Terminals: 6x WDU6 + 2x PE



07-3T03-1209/F038

Dimensions 122 x 120 x 90 mm

Terminals: 6x WDU6 + 2x PE

