

EJB..X

Enclosures



Installation

hazardous areas - Zone 1 / 2 (Gases) - Zone 21 / 22 (Dusts)

Classification

Group II - Category 2G 2D

Reference standards

Directive 2014/34/EU	
Execution	(Ex II 2 G) Ex db IIA or IIB or IIB+H2 T6...T3 (Ex II 2 G) Ex db [ia/ib IIA or IIB or IIC Ga] IIA or IIB or IIB+H2 T6 (Ex II 2 D) Ex tb IIIC T85°C...T200°C (Ex II 2 D) Ex tb [ia Da/ib] IIIC T85°C
Rules of compliance	EN/IEC 60079-0; EN/IEC 60079-1; EN/IEC 60079-11; EN/IEC 60079-31
EU type-examination certificate	INERIS 13 ATEX 0022X
Protection degree	IP66
Ambient temperature	-60 °C ÷ +80 °C
Other available certificates	ATEX Component: INERIS 13 ATEX 9019U IECEx: IECEx INE 13_0070X INMETRO: CEPEL 12.2139X NEC 505: UL 20141122-E344596 - Type rating NEMA 1, 12, 4 and 4X IECEx: IECEx INE 13.0083U CCC: 2021122304114053 ECASEx: 23-06-22481/Q23-06-048569/NB0002 CCOOE-PESO: P531827 EAC: EA3C KZ 7500525.01.01.02096 System certificate: BARTEC B; Type 07-4***

Mechanical characteristics

Body/cover	stainless steel AISI-316 L
Screws	stainless steel AISI-316 L
Internal mounting plate	stainless steel AISI-316 L
Fixing	fixing lugs stainless steel AISI-316 L - stainless steel stirrups sp.10 mm (EJB71/73 and EJB91/93)
Hinges	welded on cover and body
Opening handle	insulating material fixed on cover by stainless steel screws

On Request Accessories

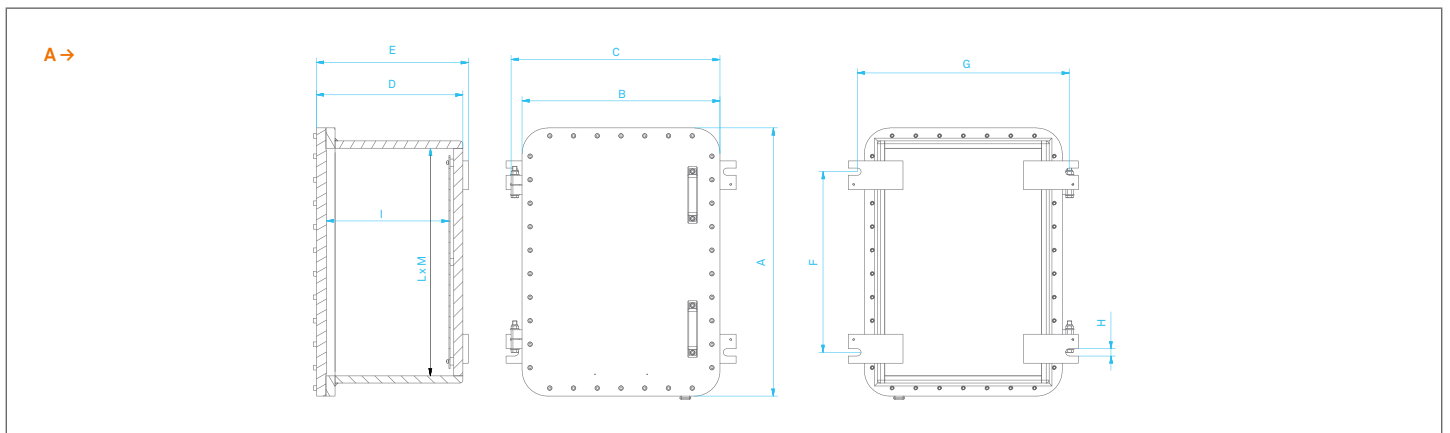
- External epoxy painting (any colours)
- Internal anticondensate painting orange RAL-2004
- O-Ring gaskets on cover
- Glass windows on cover
- Drain and breather valves



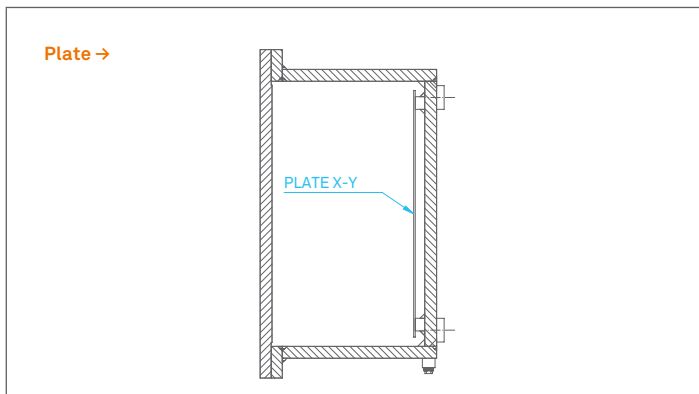
Technical Features

Code	A [mm]	B [mm]	C [mm]	D [mm]	E [mm]	F [mm]	G [mm]	H [mm]	I [mm]	L [mm]	M [mm]	Int. plate X - Y [mm]	Weight [kg]	Detail
EJB21X	285	245	267	164	174	160	230	11	121	215	175	180 - 140	32,00	A
EJB31X	415	315	337	243	253	294	290	13	195	345	245	325 - 225	62,00	A
EJB51X	576	374	396	253	263	360	355	13	200	487	287	450 - 250	110,00	A
EJB61X	670	470	491	344	354	500	437	13	307	580	380	560 - 360	152,00	A
EJB63X	670	470	491	229	239	500	437	13	182	580	380	560 - 360	140,00	A
EJB71X	742	542	572	401	409	500	580	20	331	632	432	590 - 390	222,00	A
EJB73X	742	542	572	279	287	500	580	20	213	632	432	590 - 390	190,00	A
EJB91X	960	660	697	432	444	600	640	20	350	825	525	750 - 448	419,00	A
EJB93X	960	660	697	275	287	600	640	20	193	825	525	750 - 448	350,00	A

Reference details



Reference details



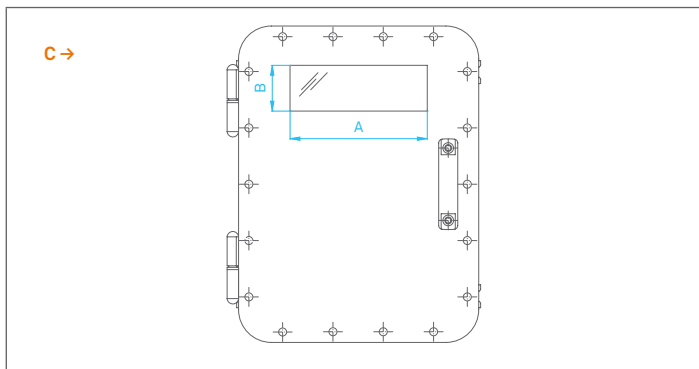
Indicative quantity of terminals and relevant section

Code	SEZ. 2,5 [sq/mm]	SEZ. 6,0 [sq/mm]	SEZ. 10,0 [sq/mm]	SEZ. 16,0 [sq/mm]	SEZ. 35,0 [sq/mm]	SEZ. 50,0 [sq/mm]	SEZ. 70,0 [sq/mm]	SEZ. 240,0 [sq/mm]	Int. plate X - Y [mm]
EJB21X	30 x 1	20 x 1	14 x 1	12 x 1	9 x 1	7 x 1	5 x 1	1 x 1	180 - 140
EJB31X	52 x 2	32 x 2	24 x 2	20 x 2	14 x 2	12 x 1	8 x 1	4 x 1	300 - 200
EJB51X	80 x 2	46 x 2	36 x 2	30 x 2	22 x 2	18 x 2	16 x 1	6 x 1	450 - 250
EJB61X / 63X	92 x 3	58 x 3	46 x 3	38 x 3	28 x 3	26 x 2	22 x 2	12 x 1	530 - 330
EJB71X / 73X	110 x 3	70 x 3	56 x 3	46 x 3	34 x 3	28 x 2	24 x 2	12 x 1	590 - 390
EJB91X / 93X	140 x 3	90 x 3	70 x 3	60 x 3	44 x 3	36 x 3	32 x 2	14 x 2	750 - 440

Glass windows on cover

Window code	Window type	EJB21X	EJB31X	EJB51X	EJB61X/63X	EJB71X/73X	EJB91X/93X	Dimensions		Detail
								A [mm]	B [mm]	
KITF1FTC	F1	x	x	x	x	x	x	60	60	C
KITF2STC	F2	x	x	x	x	x	x	75	75	C
KITF3STC	F3	x	x	x	x	x	x	110	75	C
KITF4STC	F4	x	x	x	x	x	-	150	75	C
KITF5STC	F5	-	x	x	x	-	-	150	150	C
KITF6STC	F6	-	-	x	x	-	-	300	75	C
KITF7STC	F7	-	-	x	x	-	-	300	150	C
KITF8C	F8	-	-	-	x	-	-	300	300	C
KITF9C	F9	-	-	-	x	-	-	450	300	C

Reference details



Body and cover enclosures indicative maximum quantity of holes of the same size

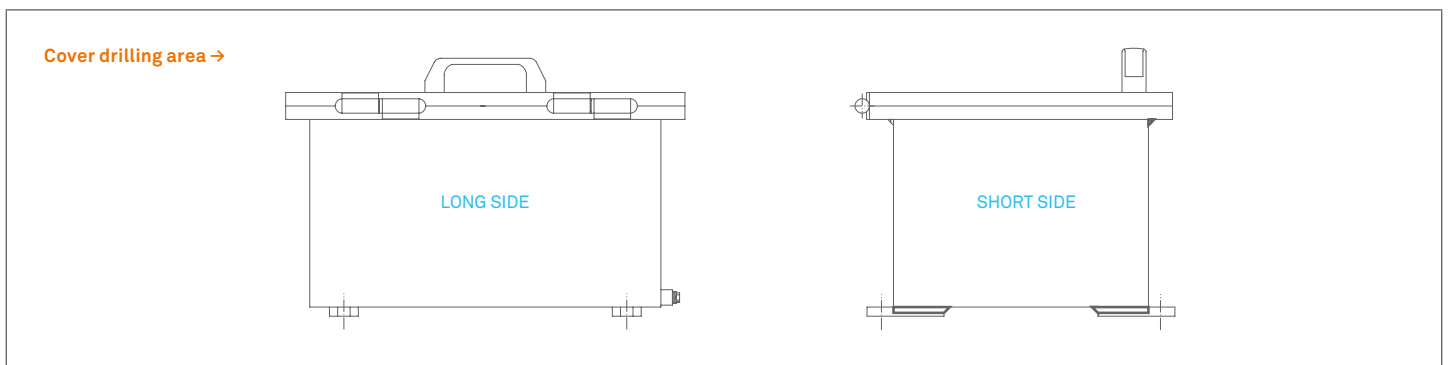
Drilling area long side

Enclosure code	Quantity allowed entries for size (from 1 to size 8)							
	1	2	3	4	5	6	7	8
EJB21X	10	7	5	3	2	2	1	-
EJB31X	28	18	14	11	8	6	3	2
EJB51X	44	27	24	20	12	10	6	3
EJB61X	72	50	36	32	21	21	14	8
EJB63X	36	29	18	16	14	7	5	4
EJB71X	90	55	46	39	32	21	15	10
EJB73X	40	26	22	18	14	12	7	4
EJB91X	112	84	65	55	40	28	23	14
EJB93X	48	42	29	22	10	11	9	5

Drilling area short side

Enclosure code	Quantity allowed entries for size (from 1 to size 8)							
	1	2	3	4	5	6	7	8
EJB21X	8	5	4	3	2	1	1	-
EJB31X	20	12	9	8	6	5	2	1
EJB51X	24	15	12	11	6	6	3	2
EJB61X	48	30	24	20	12	12	8	6
EJB63X	24	17	12	10	8	4	3	3
EJB71X	59	35	28	25	21	12	10	6
EJB73X	26	18	14	12	8	11	4	2
EJB91X	70	42	35	35	24	18	13	8
EJB93X	30	24	21	14	12	7	5	3

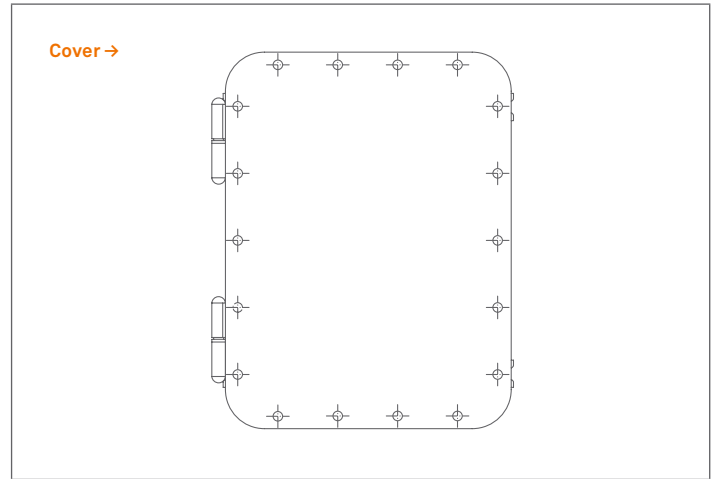
Reference details



Max allowed q.ty of push button and pilot light

Cover drilling area	
Cover drilling area	Max operators permitted
EJB21X	12
EJB31X	30
EJB51X	54
EJB61X	56
EJB63X	56
EJB71X	48
EJB73X	48
EJB91X	54
EJB93X	54

Cover drilling area



Threads comparison table

Size	EN10226-2	ISO 228-1	B1.20.1	ISO 262
0	R-Rc 1/8"	G 1/8"	1/8" NPT	M10
1	R-Rc 1/2"	G 1/2"	1/2" NPT	M20
2	R-Rc 3/4"	G 3/4"	3/4" NPT	M25
3	R-Rc 1"	G 1"	1" NPT	M32
4	R-Rc 1-1/4"	G 1-1/4"	1-1/4" NPT	M40
5	R-Rc 1-1/2"	G 1-1/2"	1-1/2" NPT	M50
6	R-Rc 2"	G 2"	2" NPT	M63
7	R-Rc 2-1/2"	G 2-1/2"	2-1/2" NPT	M75
8	R-Rc 3"	G 3"	3" NPT	M90
9	-	G 3-1/2"	3-1/2" NPT	M100
10	R-Rc 4"	G 4"	4" NPT	M115

REMARK:

Due to the development of the national and international specifications and of the technology, the above technical characteristics showed on this bulletin can be considered as binding on our confirmation only.