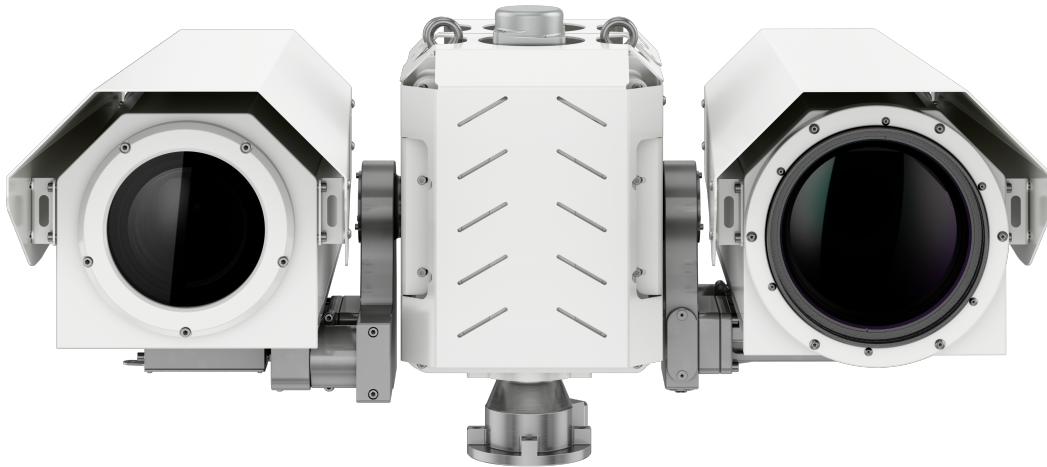


Silent Sentinel Jaegar MK 4

The Jaegar is a high-specification PTZ camera built for demanding environments with rigorous security requirements. Its design emphasizes accuracy and speed, offering a full 360° rotation and precise control, making it ideal for quickly finding and tracking targets.

Engineered to conquer tough security challenges, the Jaegar can be customized with different sensors and accessories, making it adaptable to a wide range of applications. From maritime security and border protection to aviation security, defense operations, counter-UAV and perimeter protection, the Jaegar's versatility allows it to be tailored to your specific needs, making it an ideal tool for any mission-critical application.



Features

SEE FURTHER THAN EVER

Long-range solution with both thermal and visible sensors able to detect from afar.

FASTER DETECTION, FASTER RESPONSE

Advanced analytics with precise object detection and tracking to stay ahead of threats.

FLEXIBILITY IS KEY

Highly modular and customizable camera system that fits your site needs perfectly.

SEE CLEARLY, DAY AND NIGHT

Exceptional visibility in low light or challenging environments for full situational awareness.

Specifications

Thermal Sensors

Standard Definition

	MID-WAVE IR				LONG-WAVE IR	
	RHTX08IGB7Z300FW					
Specification	Non-Germanium	RHTX08IGB16Z300FW	RHTX08IGB30Z550FW	RHTX08IGB52Z785FW	RHTX08IFB25Z225FW	RHTX08IFB20Z300FW
Focal Length	37 mm - 300 mm	16 mm - 300 mm	30 mm - 550 mm	52 mm - 785 mm	25 mm - 225 mm	20 mm - 300 mm
Horizontal FOV (Angular)	14.7° (W) - 1.8° (T)	32.0° (W) - 1.8° (T)	18.0° (W) - 1.0° (T)	12.5° (W) - 0.7° (T)	25.3° (W) - 2.8° (T)	22.0° (W) - 1.5° (T)
F number	F4.0	F4.0	F4.0	F4.0	F1.5	F1.5
Optical Zoom Ratio (Continuous)	8x, Motorized	18x, Motorized	18x, Motorized	15x, Motorized	9x, Motorized	15x, Motorized
Digital Zoom	20x	20x	20x	20x	20x	20x
Focus	Manual focus, Push autofocus, Continuous autofocus, Continuous autofocus with automatic ROI (centre).				Manual focus, Push autofocus, Continuous autofocus, Continuous autofocus with automatic ROI (centre).	
Detector Type	Cooled XBn, 20 mK (NETd) at 20°C, <30 mK (Temporal NETd) at 20°C, 30 Hz SD 640 x 512, 15 µm pixel pitch. [Extended 50,000 hour (MTBF) cooler is a cost option]				Uncooled VOxmicrobolometer, ≤20 mK (at 20°C, F1.0) 60Hz SD 640 x 512, 12 µm pitch	
Spectral Band	3–5 µm (MWIR)	3–5 µm (MWIR)	3–5 µm (MWIR)	3–5 µm (MWIR)	8–12 µm (LWIR)	
Image Processing	Adaptive histogram equalization, linear AGC, manual gain and offset, sharpness control, edge enhancement, color palette options (including white hot / black hot polarity)				Correction (NUC), noise filtering, polarity control, Digital Detail Enhancement (DDE), color palettes (including white hot / black hot polarity)	
ATCOM	Not supported	Not supported	Not supported	Not supported	Not supported	Not supported
Housing Weight (Typical)	11.1 kg (24.5 lb)	11.1 kg (24.5 lb)	13.4 kg (29.5 lb)	20.8 kg (45.9 lb)	19.2 kg (42.3 lb)	24 kg (52.9 lb)
Housing Size, LxWxH (Typical)	460 mm x 265 mm x 275 mm (18.1 in x 10.4 in x 10.8 in)	460 mm x 265 mm x 275 mm (18.1 in x 10.4 in x 10.8 in)	510 mm x 275 mm x 300 mm (20.1 in x 10.8 in x 11.8 in)	680 mm x 290 mm x 320 mm (26.8 in x 11.4 in x 12.6 in)	740 mm x 310 mm x 320 mm (29.1 in x 12.2 in x 12.6 in)	1000 mm x 330 mm x 380 mm (39.4 in x 13.0 in x 15.0 in)
Power Consumption	Typical: 56W Peak: 80W	Typical: 56W Peak: 80W	Typical: 56W Peak: 80W	Typical: 56W Peak: 80W	Typical: 40W Peak: 63W	Typical: 40W Peak: 63W

High Definition

MID-WAVE IR

Specification	RHTX08IGD55Z550FW	RHTX08IGD52Z785FW	RHTX08IGD67Z1000FW
Focal Length	55 mm - 550 mm	52 mm - 785 mm	66 mm - 1000 mm
Horizontal FOV (Angular)	13.0° (W) - 1.3° (T)	14.0° (W) - 0.9° (T)	10.5° (W) - 0.7° (T)
F number	F4.0	F4.0	F4.0
Optical Zoom Ratio (Continuous)	10x, Motorized	15x, Motorized	15x, Motorized
Digital Zoom	20x	20x	20x
Focus	Manual focus, Push autofocus, Continuous autofocus, Continuous autofocus with automatic ROI (centre).		
Detector Type	Cooled XBN, 20 mK (NETd) at 20°C, <30 mK (Temporal NETd) at 20°C, 30 Hz HD 1280 x 1024, 10 µm pixel pitch [Extended 50,000 hour (MTBF) cooler is a cost option]		
Spectral Band	3-5 µm (MWIR)	3-5 µm (MWIR)	3-5 µm (MWIR)
Image Processing	Adaptive histogram equalization, linear AGC, manual gain and offset, sharpness control, edge enhancement, color palette options (including white hot / black hot polarity)		
ATCOM	Not supported	ATCOM (cost option) includes turbulence mitigation, LACE, electronic image stabilization and super resolution. ATCOM-2 (cost option) includes 2 features from turbulence mitigation, LACE, electronic image stabilization and super resolution. ATCOM (cost option) includes turbulence mitigation, LACE and super resolution.	
Housing Weight (Typical)	13.4 kg (29.5 lb)	20.8 kg (45.9 lb)	34.3 kg (75.6 lb)
Housing Size, LxWxH (Typical)	510 mm x 275 mm x 300 mm (20.1 in x 10.9 in x 11.8 in)	680 mm x 290 mm x 320 mm (26.8 in x 11.4 in x 12.6 in)	850 mm x 380 mm x 425 mm (33.5 in x 15.0 in x 16.7 in)
Power Consumption	Typical: 56W Peak: 80W	Typical: 56W Peak: 200W (ATCOM)	Typical: 56W Peak: 200W (ATCOM)

Visible Sensors

Specification	RHTX08IYJ04Z129W	RHTX08IHA16Z500W	RHTX08IHA16Z1000W	RHTX08IFA20Z800W	RHTX08IFA40Z1600W
Focal Length	4.3 mm - 129 mm	15.2 mm - 500 mm	16.7 mm - 1000 mm (to 2000 mm with (x2) extender)	20 mm - 800 mm	40 mm - 1600 mm
Horizontal FOV (Angular)	64.0° (W) to 2.4° (T)	23.4° (W) to 0.74° (T)	21.2° (W) to 0.45° (T) (to 0.23° (T) with x2 extender)	21.0° (W) - 0.55° (T)	21.0° (W) - 0.27° (T)
F number	F1.6 to F4.7	F3.0	F3.5 to F16 (to F32 with (x2) extender)	F4.0 to F16.0	F8.0 to F32.0
Optical Zoom Ratio (Continuous)	30x	33x	60x (120x with (x2) extender)	40x	40x
Digital Zoom	20x	20x	20x	20x	20x
Focus	Manual focus, Push autofocus, Continuous autofocus, Continuous	Manual focus, Push autofocus, Continuous autofocus, Continuous	Manual focus, Push autofocus, Continuous autofocus, Continuous	Manual focus, Push autofocus, Continuous autofocus, Continuous autofocus with automatic ROI (centre)	

Specification	RHTX08IYJ04Z129W	RHTX08IHA16Z500W	RHTX08IHA16Z1000W	RHTX08IFA20Z800W	RHTX08IFA40Z1600W
	autofocus with automatic ROI (center)	autofocus with automatic ROI (centre)	autofocus with automatic ROI (centre)		
Image Sensor	CMOS 1/2.8" Sensor (2.07MP), HD 1080p (1920 x 1080)	CMOS 1/1.9" Sensor (2.38MP), HD 1080p (1920 x 1080)	CMOS 1/1.9" Sensor (2.38MP), HD 1080p (1920 x 1080)	CMOS 1/1.8" Sensor (2.07MP), HD 1080p (1920 x 1080)	CMOS 1/1.8" Sensor (2.07MP), HD 1080p (1920 x 1080)
Minimum Illumination Sensitivity	Color 0.009 lux (at F1.6) Mono 0.00008 lux (at F1.6) [Max Enhanced]	Color 0.056 lux (at F3.0) Mono 0.003 lux (at F3.0) [Max Enhanced]	Color 0.077 lux (at F3.5) Mono 0.0042 lux (at F3.5) [Max Enhanced]	Color: 0.0017 lux (at F4.0) Mono: 0.0011 lux (at F4.0)	Color: 0.0064 lux (at F8.0) Mono: 0.0042 lux (at F8.0)
Image Processing	Digital noise reduction	Digital noise reduction	Digital noise reduction	Digital noise reduction, haze correction and defog	
Optical Image stabilization	No	No	Yes (cost option)	Yes	Yes
Housing Weight (Typical)	15 kg (33.07 lb)	18.2 kg (40.12 lb)	25 kg (55.12 lb)	21.2 kg (46.74 lb)	22.5 kg (49.60 lb)
Housing Size, LxWxH (Typical)	632 mm x 290 mm x 321 mm (24.88 in x 11.40 in x 12.64 in)	740 mm x 310 mm x 320 mm (29.13 in x 12.20 in x 12.60 in)	900 mm x 290 mm x 246mm (35.4 in x 11.42 in x 9.69 in)	632 mm x 290 mm x 321 mm (24.88 in x 11.42 in x 12.64 in)	632 mm x 310 mm x 340 mm (24.88 in x 12.20 in x 13.39 in)
Power Consumption	Typical: 41W, Peak: 65W	Typical: 40W, Peak: 74W	Typical: 40W, Peak: 74W	Typical: 46W, Peak: 70W	Typical: 51W, Peak: 75W

JAEGAR PAN AND TILT UNIT (PTU)*

Pan Range / Velocity	360° Continuous; 0.006° - 200° per second**
Tilt Range / Velocity	-90° to +90°; 0.006° - 200° per second**
Accuracy	0.006°
Repeatability	0.006°
Number of Presets	255
Protocols	Pelco D, ONVIF Profile-S, External Universal Protocol (EUP)
Interfaces	RS485 Serial, Ethernet (IP)
Positioning	Continuous and absolute control.
Through Shaft	Yes
PTU Weight (Typical)	33kg (72.8 lb)
PTU Size H x W x L (Typical)	455 mm x 350 mm x 700 mm (17.9 in x 13.8 in x 27.6 in)
Video Output	RTSP, ONVIF from PTU Video encoding: H.264, H.265 and MJPEG
Ethernet	Command and control of all functions: ONVIF, WebGUI, PelcoD (TCP). Video streaming of H.264, H.265 and MJPEG images. Gigabit Ethernet Bandwidth.
Serial - RS485	Pelco D command and control with custom procedural extensions.
IP Rating	IP67
Operating Temperature Range	-40°C (-40°F) to 65°C (149°F)
Storage Temperature Range	-40°C (-40°F) to 70°C (158°F)

JAEGAR PAN AND TILT UNIT (PTU)*

PTU Power	48V DC
PTU Power Consumption	Typical : 72W, Peak 172W
Housing Material and Finish	Anodized aluminum, Surtec treated, white marine grade powder coat paint finish (other colors available upon request). Hydrophobic coating on visible sensor windows.
Inerting	Thermal and visible sensor housings nitrogen purged/backfilled.
Boresight with Rapid Release Mechanism	Anodized aluminium quick release bracket with enhanced micro adjustment boresight mechanism.

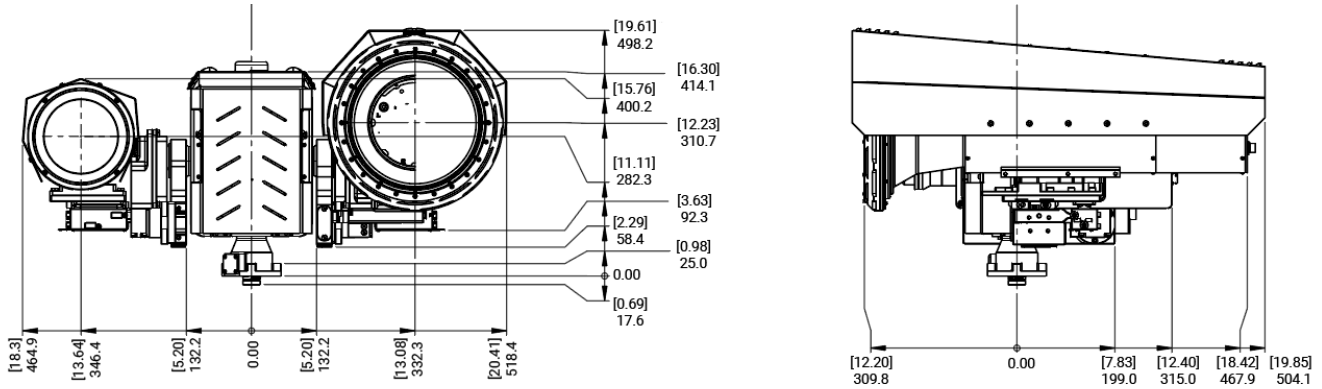
* Subject to payload types

** Maximum pan and tilts speeds may be restricted depending on the payload types and number of payloads attached.

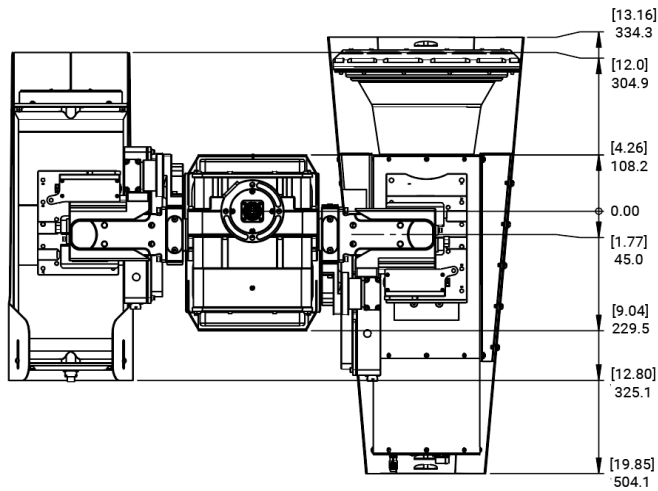
Outline Dimensions

[X.XX]	INCHES
X.X	MM

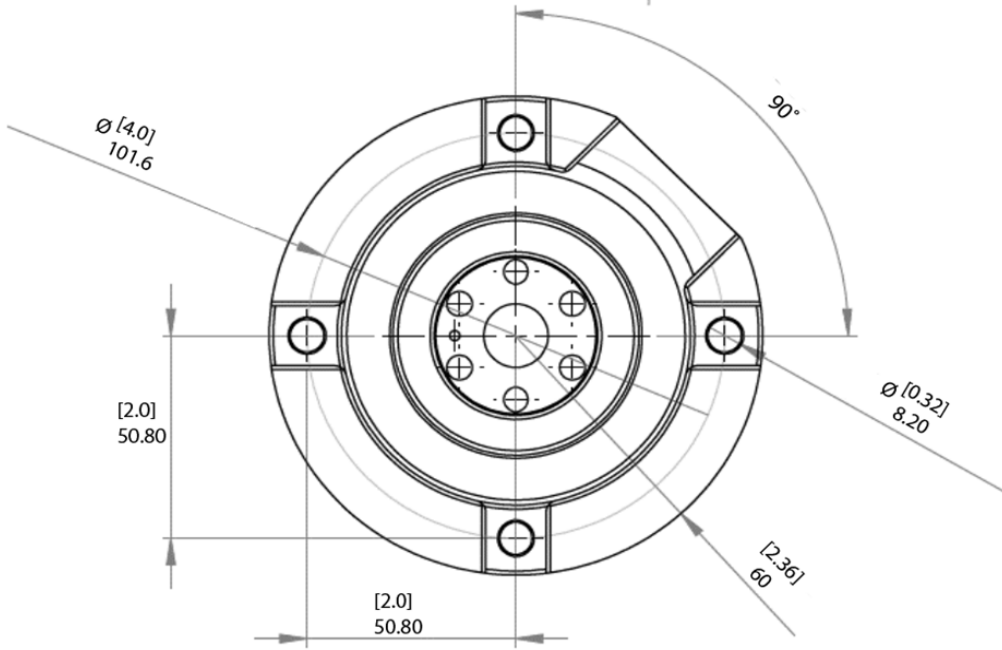
Jaegar Pan Tilt Unit with MWIR and EO Camera



Bottom View



Base, Hole Pattern



Ordering Information

To order this solution or any optional features, please contact your sales representative. Our ordering process is handled directly through our sales team to ensure you receive a customized solution that perfectly meets your needs. Your sales representative will assist you with configuration, pricing, and ordering any additional features or custom add-ons.

NexOS*

NexOS Core (Standard)	NexOS Core includes: Image Contrast Enhancements, CLAHE, Image Stabilization (2D), Static Overlays, Remote Upgrades, Remote Diagnostics
NexOS Performance Pack (Cost Option)	In addition to NexOS Core includes: Electronic Image Stabilization (3D), Target Tracking, Target Classification, Event Detection, Dynamic Overlays

* Camera native functionality.

Optionally Available

Payloads	White light illuminator (up to 3.5km) or near infrared (up to 2.5km), Laser illuminator - up to 5km Long range acoustic hailer - up to 2km Laser Range Finder (LRF) - up to 20km Wiper for visible sensor window
Top Mount	Top mount extension and mounting plate - for radar or other top mount payload - with power (48V) and data (Ethernet) electrical pass-through.

Support

Learn more and find additional documentation at pelco.com/silent-sentinel or email silentsentinel.support@motorolasolutions.com for specific product support.

© Silent Sentinel Limited reserves all the right. All in this specification sheet including texts, pictures, diagrams, and other contents belong to Silent Sentinel Limited. Without the written permission, no one shall copy, photocopy, translate or disseminate all or part of this specification sheet. This specification sheet is used as a guide. The photos, graphics, diagrams, and illustrations provided in the specification sheet are only used for explanation, which may be different from the specific product. Please refer to the actual product. We try our best to make sure all the contents in this specification sheet are accurate. We do not provide any representations or warranties in this manual. NOV 2025 REV 4